

LP150 & LP200 XY Stages



The LP150 and LP200 are low profile XY stages in a compact envelope, making them a perfect motion platform for use in desktop inspection and metrology instruments. While compact, performance is strong. Horizontal and vertical straightness of travel is $\pm 1.0\mu\text{m}/25\text{mm}$ and a hysteresis-free linear encoder gives positional feedback at $0.5\mu\text{m}$.

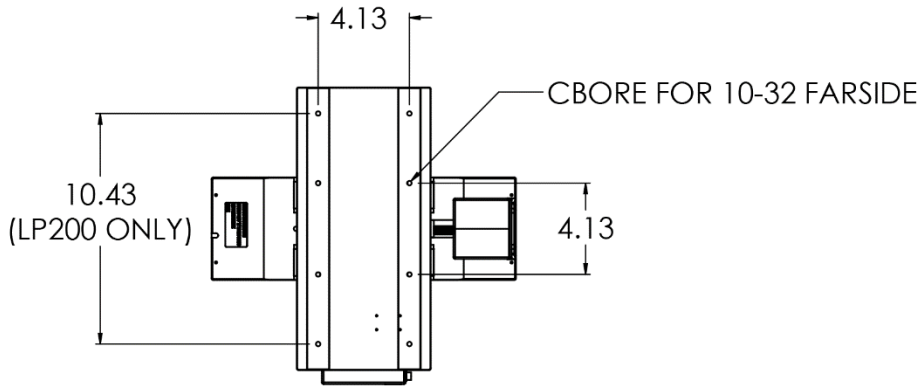
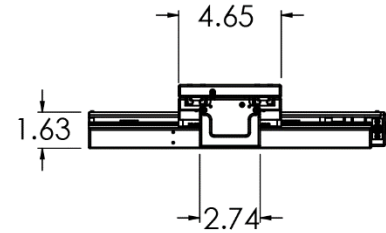
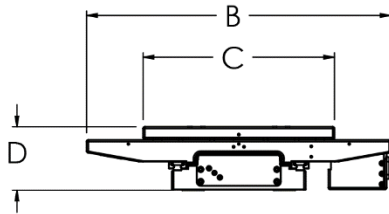
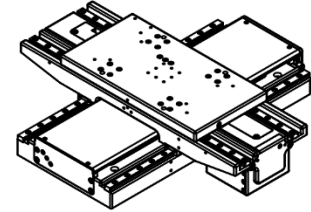
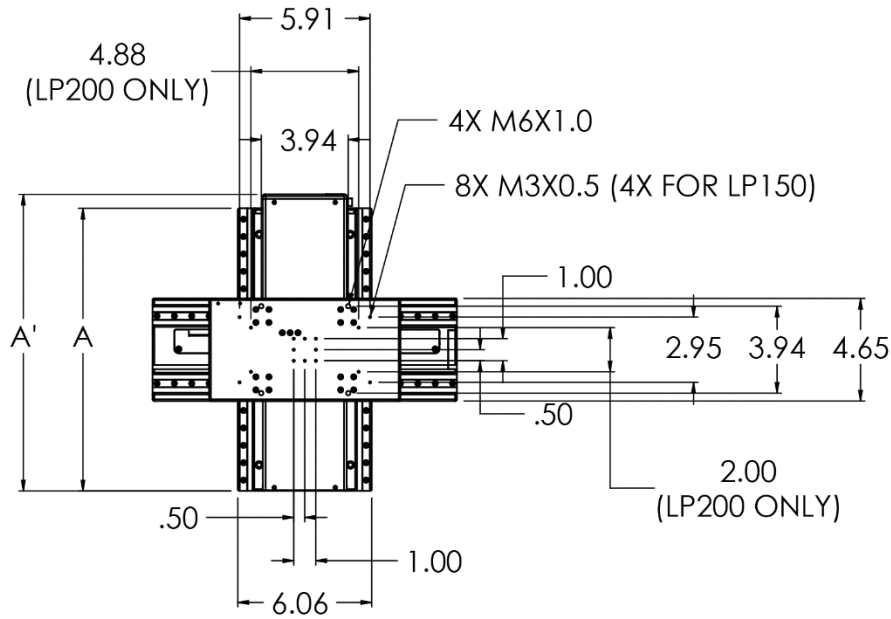
For lower overall cost and ease of integration, the LP150 and LP200 use stepper motors with integral controllers and drivers. An internal, high-flex, long life cable loop brings power and communication to the upper axis. Serial communication with a computer is configured as a multi-drop RS422/485 system. A single connection is all that is required for closed loop, XY positioning.

Specifications		
	LP150	LP200
Travel	150mm x 150mm	200mm x 200mm
Drive Type	0.050" or 0.100" Lead Screw, Anti-backlash Nut	
Motor and Controller	IMS MDrive Plus	
Linear Accuracy	$\pm 10.0\mu\text{m}$ ($\pm 5.0\mu\text{m}$ per 25mm)	$\pm 6.0\mu\text{m}$
Bi-Directional Repeatability	$\pm 2.0\mu\text{m}$	
Straightness of Travel	$\pm 8.0\mu\text{m}$ ($\pm 1.0\mu\text{m}$ per 25mm)	
Flatness of Travel	$\pm 8.0\mu\text{m}$ ($\pm 1.0\mu\text{m}$ per 25mm)	
Position Feedback	0.5 μm Linear Encoder	
Orthogonality	± 6 arc-sec	



RELIANT SYSTEMS INC

Precision Automation Systems



STAGE TRAVEL	DIMENSION A	DIMENSION A'	DIMENSION B	DIMENSION C	DIMENSION D
6" (150MM)	10.83"	11.46"	11.81"	6.69"	2.76"
8" (200MM)	12.80"	13.43"	13.78"	8.66"	2.87"

26771 5th Street W, Zimmerman, MN 55398

Phone: (763) 856-8300 / Fax: (763) 856-8301 / E-mail: sales@reliantsystemsinc.com

www.reliantsystemsinc.com

Reliant Systems, Inc. Confidential & Proprietary Information