

HS60 Center Drive Stage



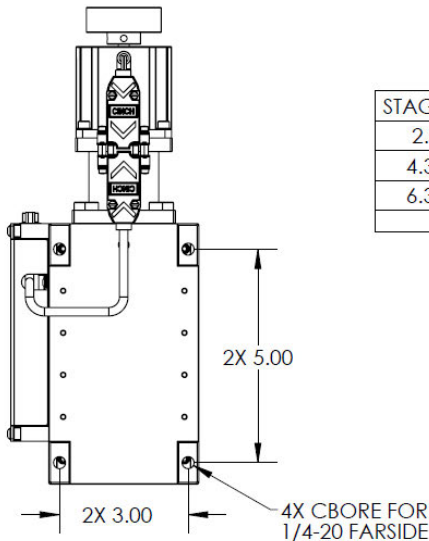
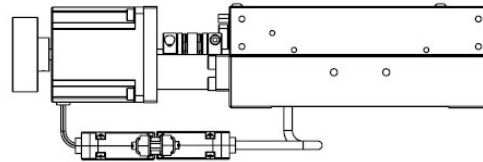
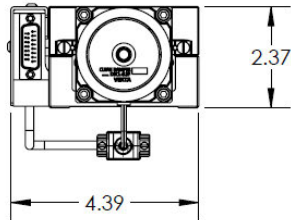
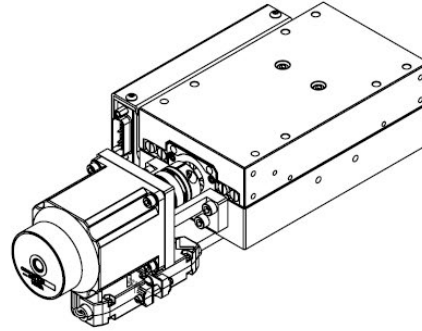
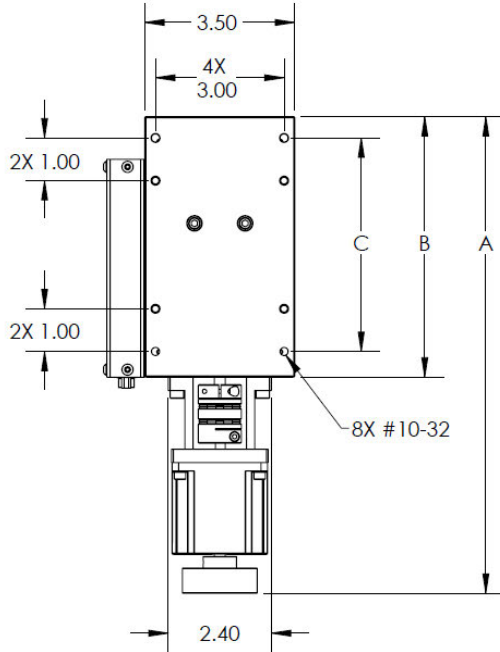
With its rigid body, center drive, and precision lapped lead screw the HS60 stage offers superior performance for applications requiring fast step and settle performance with an open loop stepper or encoded rotary servo motor. For improved bi-directional repeatability and long-term accuracy, a non-contact, hysteresis free linear encoder is available as an option.

Features include:

- High precision lapped lead screw drive
- NEMA23 Motor Mount
- 3mm Crossed Roller Bearing Guides
- Supports Open Frame Linear Encoder
- Optical End-of -Travel Limits and Home Switch

Specifications	
Travel	60mm (2.5")
Maximum Yaw Error	$\pm 15\mu\text{rad}$ (± 3 arc-sec)
Maximum Pitch Error	$\pm 20\mu\text{rad}$ (± 4 arc-sec)
Straightness / Flatness of Travel	$\pm 1.0\mu\text{m}$
Open Loop Accuracy	$\pm 3.0\mu\text{m}$
Closed Loop Accuracy (0.1 μm linear encoder)	$\pm 1.5\mu\text{m}$

HS Series Stages



STAGE TRAVEL	DIMN A	DIMN B	DIMN C
2.36 (60)	11.16 (283.5)	6.10 (154.9)	5.00 (127.0)
4.33 (110)	13.13 (333.5)	8.07 (204.9)	6.97 (177.0)
6.30 (160)	15.10 (383.5)	10.04 (254.9)	8.94 (227.0)

DIMENSIONS: IN(MM)